

## All that you need.

**G4.EASY e\***



LCD 19" monitor.  
8 buttons key pad with icons.

**OPTION**

**EMS**  
Automatic width gauge.

**SISTEMA FASEP  
DI EQUILBRATURA**

**TriSensor**  
3 sensors system  
for unbalancing measurement.

**IFS IFS**  
Integrated-flange shaft for  
maximum centering accuracy.

**ALU-SE**  
Automatic input/gauge  
to measure and apply stick-on  
weights.

**OPTION**

**PNEU-LOCK**  
Double effect pneumatic lock.



- **YES** Effortless accurate clamping.
- **YES** Safe operation
- **YES** It operates even in the event of malfunction of pneumatic or lack of compressed air.

**OPTION**

**LASER LINE**  
System for the accurate  
application of adhesive  
weight inside the rim.

The area  
where the weight  
will be applied  
is clearly visible  
because it is  
illuminated  
by the Laser Line.

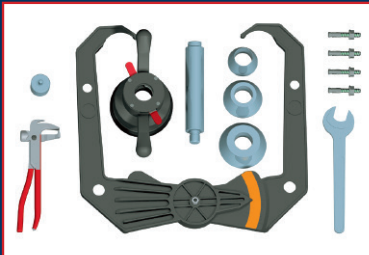


V558 is the video balancer where you get all that is needed and no frills. V558 incorporates the newest low-speed with 16-bit technology from FASEP like other top range balancers and offers all possibilities to get perfectly balanced tires.

V558.G4.PLS.DL



**STANDARD EQUIPMENT**



**TECHNICAL FEATURES**

• Power source	220V 50-60Hz 1Ph
• Motor power	50 W
• Power source	400 W
• Balancing speed	98 RPM
• Rim diameter	8" (200 mm) - 26" (650 mm)
• Rim diameter (alu-s)	8" - 23"
• Wheel Diameter (max) with wheel-guard	34" (850 mm)
• Rim Width (max) with wheel-guard	16" (415 mm)
• Wheel Weight (max)	90 Kg (198 Lbs)
• Measuring time	8 - 15 s.
• Accuracy	1 gr.
• Angular accuracy	256 divisions (accuracy = 1,4 deg)
• Monitor	LCD SVGA 17"
• Noise	< 70 dB (A)

**FUNCTIONS**

- Unit of measure
- **START-STOP** Automatic
- Display step 1 or 5 gr
- Display cut-off 1 to 9 gr
- **STOP-ON-TOP** at the end of measuring run (only1Ph)
- Autodiagnostic
- Autocalibration
- **SPLIT** Possibility to divide the balance weight and hide behind the spokes in a non-visible position
- Statistics
- **FCC** Fast Calibration Check
- Rim Databank
- **ALU-S** ALU Special function
- **ALU-SE** Electronic ALU-S function
- Information center (telediagnostic)
- **MARS** Automatic Minimization of Residual Static Unbalance
- Optimization **OPTION**
- Rim run-out: check rim geometry/eccentricity **OPTION**
- Planarity **OPTION**
- **AFC** Automatic Flange Calibration **OPTION**
- **ASF** ALU Special functions (LEVEL 3) **OPTION**
- **APS** Automatic Positioning System (LEVEL3) **OPTION**
- **FAST** Fast balancing mode (LEVEL3) **OPTION**
- **DUAL-OP** Doppio operatore **OPTION**

**OPTIONAL EQUIPMENT**



**AMSF-HD Pro Bike**

Motorcyle Adaptor Kit 14 mm.



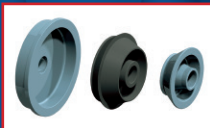
**AMSF-10**  
10 mm. Shaft for motorcycle



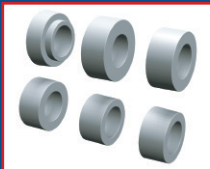
**AMSF-18**  
18 mm. Shaft for motorcycle



**FUL-HD**  
Universal Self-centering flange



**KF**  
Kit Off-road & Light Trucks



**SBC**  
Set centering bushings

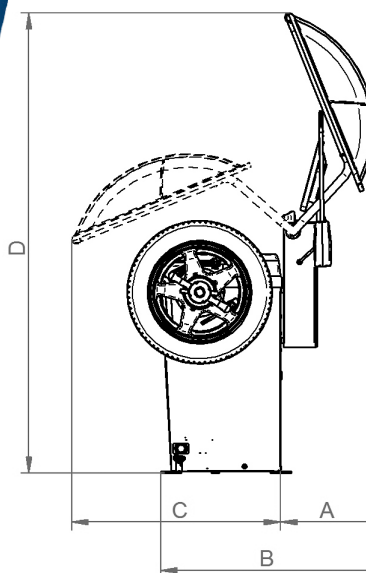


**FC**  
Centering flanges 4/5 holes

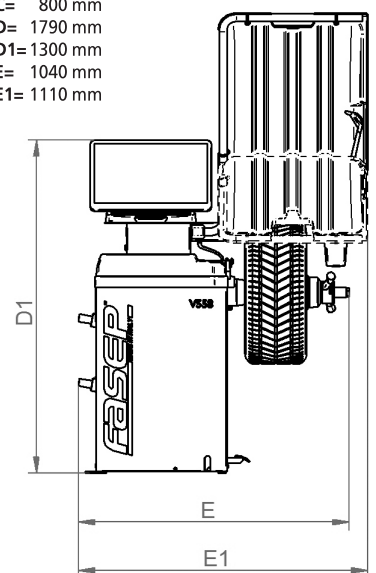


FURTHER ACCESSORIES ON

[www.fasep.it](http://www.fasep.it)



- A= 400 mm
- B= 860 mm
- C= 800 mm
- D= 1790 mm
- D1= 1300 mm
- E= 1040 mm
- E1= 1110 mm



Authorized dealer



For further information about this and other products, please visit [www.fasep.it](http://www.fasep.it)

**FASEP**  
MADE IN ITALY

FASEP 2000 s.r.l.  
Via Faentina, 96 - 50032 Ronta (Firenze) ITALY  
Tel. +39 055 8403126 - Fax +39 055 8403354